

NEW

EC 860



UP TO 70 M<sup>3</sup>/H. UP TO 150 HP. UP TO 500 MM LOGS.

## EC 860 KING COMPACT

THE EC 860 IS BEST KNOWN FOR ITS COMPACT DESIGN, YET IT HAS A CAPACITY OF UP TO 70 M<sup>3</sup>/H WITH JUST 150 HP. IT EVEN USES LESS THAN 10 L DIESEL PER HOUR. ENERGY EFFICIENT, POWERFUL AND BEAUTIFUL TO SEE. IT TRULY IS A DREAM MACHINE.



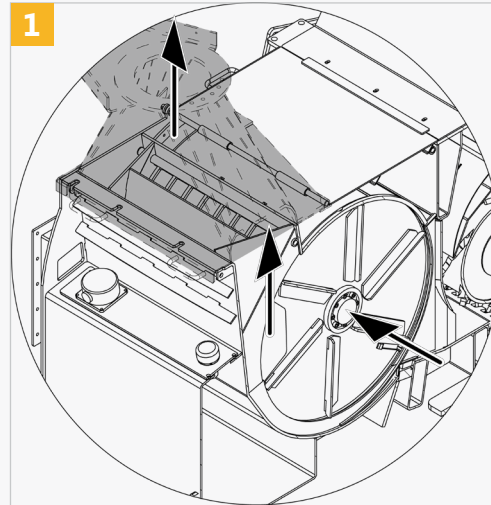
# EC 860 KING COMPACT

1

The EC 860 is equipped with a Venturi system. The Venturi system blows additional air in the funnel behind the drum for smooth discharge of chips through the chute. As this system does not use energy consuming paddles, more engine power is available for chipping wood and the wood chips are not damaged. Another benefit is that there will be little to no dust and debris when chipping. A more uniform chip size is then created. This energy-efficient system ensures a more enjoyable chipping experience.

2

We understand that one chip size does not fit all. For example, if you burn the chips for its heating, you need large chips and very few fine material, yet the latter is suited best for making pellets. That is why you can change the size of the wood chips from G10 to G50, according to the ÖNORM M7 133. Simply press one button on your EC 860.



3



3

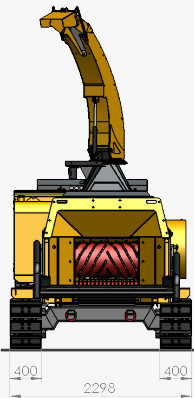
Optionally you can add the Europe Controller with PLC. The revolutionary PLC displays all sorts of relevant information on the performance of the machine. The Europe Controller in combination with proportional valves gives vario chip: You can make chips from G10 to G50, just by pressing one button.

The display shows two menus: One for the chipper and one for the engine. Different parameters can be read out and adjusted, such as all engine data, remote control, sensor valves and spool valves. The machine can be controlled manually as a back-up, in case you lost the remote control. You can also read out performance of the machine, such as infeed speed, working hours, fuel level, coolant temperature and oil pressure and so on. Wachendorff guarantees that the system works in the range of -20 to +80 degrees Celsius.

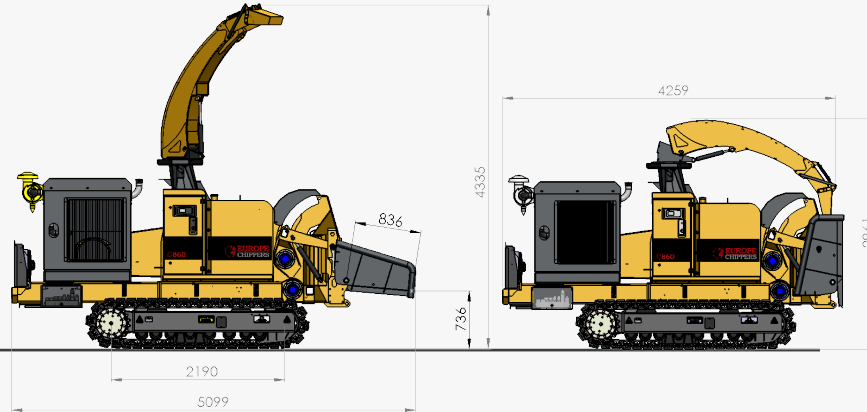
It is a full colour display and the system is self-diagnostic in case of failure. At a glance the status of the machine can be seen. Green is okay, orange needs maintenance and red means danger.

# TECHNICAL SPECIFICATIONS

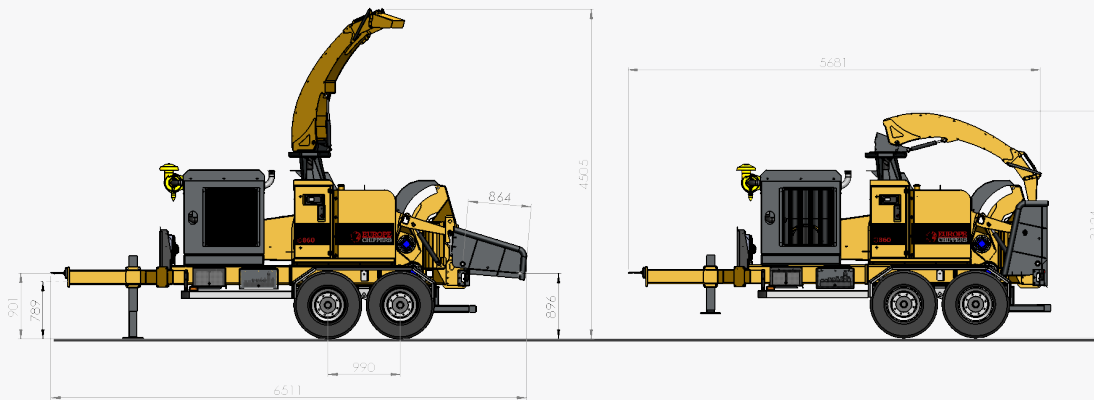
FRONT VIEW



SIDE VIEW TRACKS



SIDE VIEW TANDEM AXLE



	EC 860	EC 860e	EC 860 PTO
Power	Up to 150 hp	Up to 115 kW	Up to 150 hp
Output	50-70 m <sup>3</sup> /h, depending on material		
Infeed opening	800 x 600 mm		
Drum diameter	1000 mm, including knives		
Upper feed wheel	500 x 710 mm (diameter x width)		
Bottom feed wheel	300 x 710 mm (diameter x width)		
Drum rotation speed	Between 1000 and 1200 rpm		
Knives	3 pcs on drum and 1 pc counter knife		
Weight	6.500 kg, including engine and table		
Specifications	Short pipe of 3 m long w/ Venturi configuration. Automatic no-stress system. Emergency stop on both sides. Manufactured completely from high grade steel S335, etc.		
General options	Europe controller w/ PLC, colour display and proportional valves. Remote control. Special colour customers' choice with grey RAL 7021. Knife. Counter knife. Screen 50/70/90 mm of Hardox steel. Oil cooler electric extra in combination with sprocket pump.		
Power options	150 hp CAT C4.4 Tier IV Final motor. PTO shaft plus pulleys and drive train up to 150 hp. Electrical motor up to 115 kW.		
Transport options	Single axle and tandem axle with hydraulic brake plus draw bar, spring suspension up to 40 km/h road legal or air brakes up to 80 km/h road legal. Optional draw bar eye 50 mm instead of 38 mm. Truck mount frame. Hook lift frame. Extra hook in the rear. 2-speed steel tracks. Rubber pads. Radio remote control for tracks.		
Crane options	Europe Forestry Crane (EFC) 4065 up to 4 tons and 6.5 m reach. Mechanical controllers plus seat. Electrical controllers plus 6 pcs Danfoss PVG32 for load sensing pump. Crane mounting plate plus adjustment to chassis. Sprocket pump. Load sensing pump. Grapple 200 or 310. Double legs in front and rear.		