

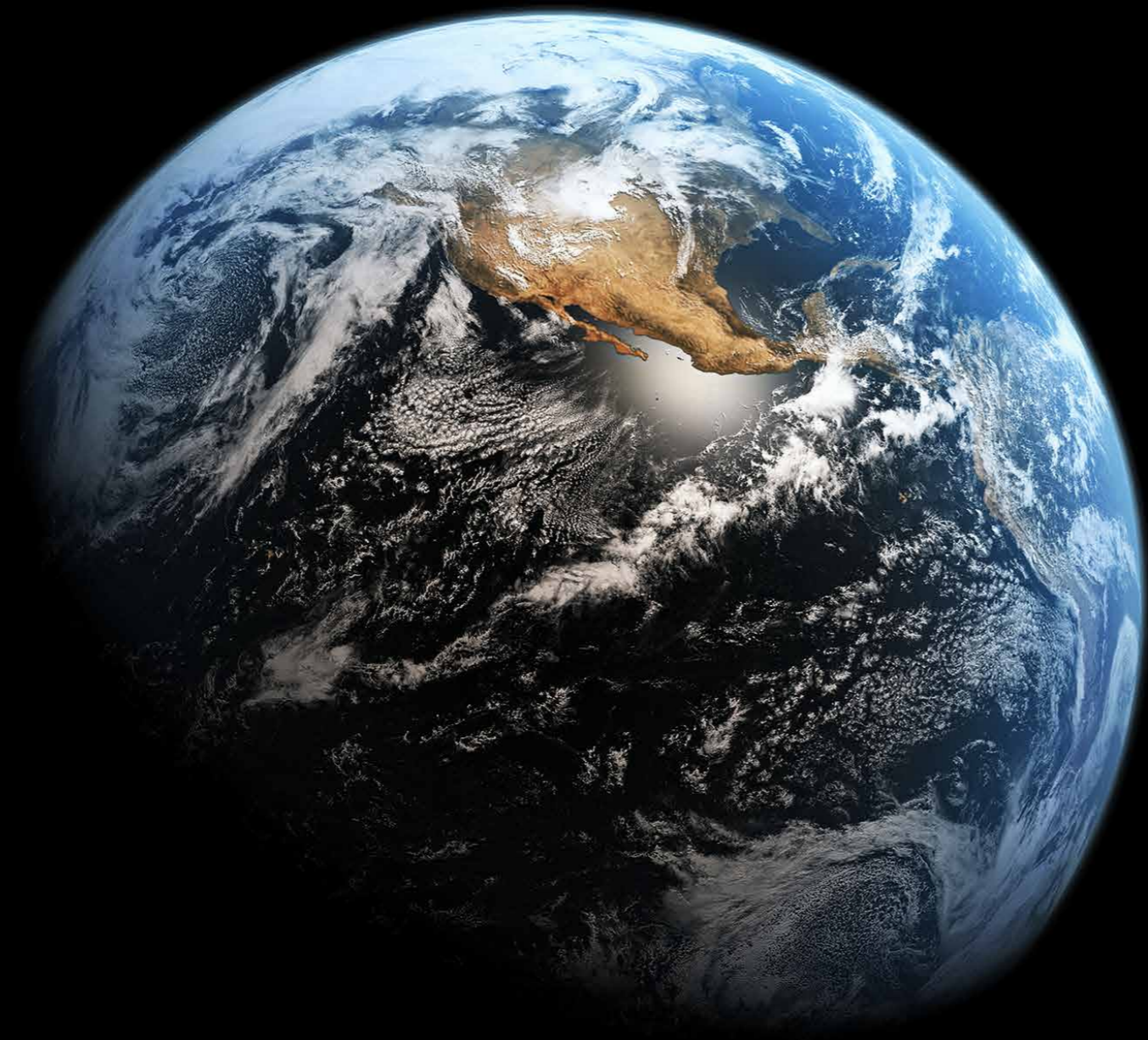


**Eggersmann** 

Shredder

The realisation that natural resources are finite has pushed people into thinking about their lifestyle. This is why we are now more attuned to the idea of nature being a valuable asset that needs to be safeguarded for future generations. The development of sustainable solutions is the active way to contribute to a future worth living, and is something that our employees engage in on a day-to-day basis.

Karlgünter Eggersmann,  
CEO



# Navigation

p. 4 TEUTON Z 55

p. 5 Technical data

p. 6 Unique feature shredding comb and  
optional screen basket

p. 7 Types of tools

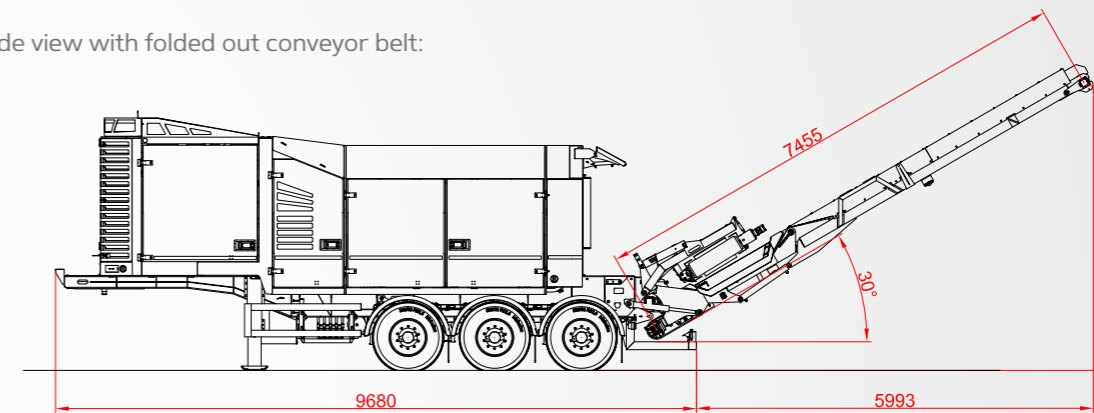
# TEUTON

## Technical data

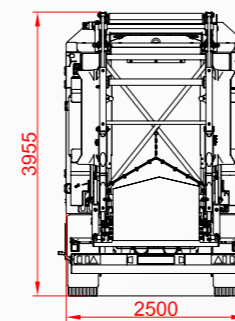


Total weight	32 t
Motor	VOLVO Penta Diesel engine Type TAD 1375 VE
Capacity	13 l
Emission standard (Euro-standard)	Step IV
Rated capacity	405 kW (551 hp)
Tankvolume	700 l
Number of tools	30 / 20
Rotor length	3,000 mm
Rotor speed	40 rpm
Rotor drive	Hydraulic planetary gear
Rotor diameter	1,020 Ø
Rotor torque	260 kNm (2 x 130)
Control	IFM 12.1" touch panel

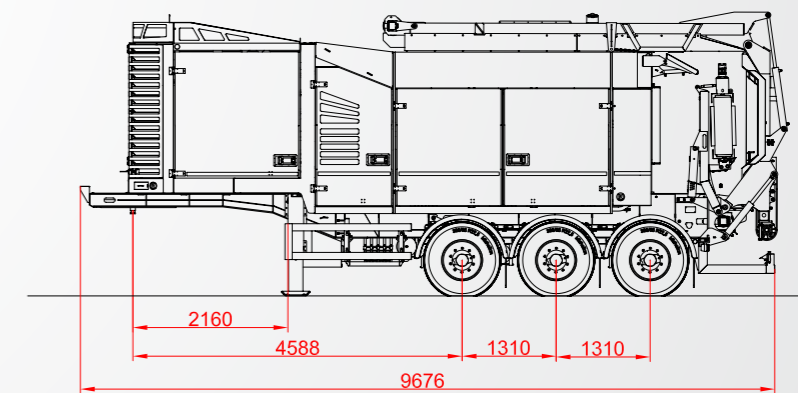
Side view with folded out conveyor belt:



Rear view:



Side view:



## Single-Speed-Shredder - TEUTON Z 55

With worldwide activities and years of experience in special machinery for recycling plants, we know exactly about the customers needs. The Eggersmann TEUTON Z 55 – a single-speed-shredder for grinding wood waste, organic waste, industrial waste, tires as well as bulk trash and mattresses – is an efficient and low-maintenance universal shredder that fulfills all requirements.

Since a homogenous end product is the key to success on the worldwide markets, two shredders were often needed to reach that level in two work steps. The Eggersmann TEUTON Z 55 is able to do the pre- and post-shredding in one work step.



Hydraulic adjustable oberbelt magnet



Easily accessible through large doors



Generous outlets for an easy material transport



TEUTON Z 55 as track version



Pusher for various settings of the shredding comb



High-end product quality due to the optional screen basket



Easy access to the tools



Control via touch panel

## Unique feature: changeable shredding comb and optional screen basket

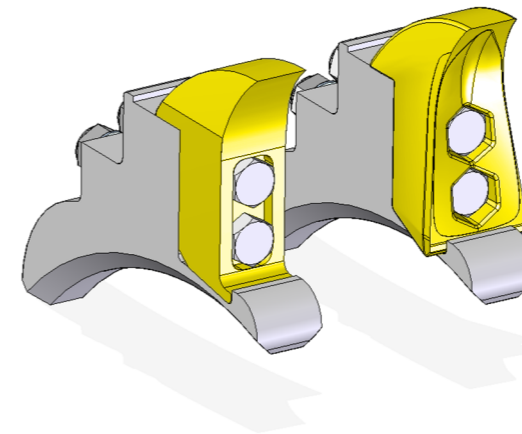
The shredding unit of the TEUTON Z 55 consists of 4 parts - frame, rotor, screen basket system and the door with the patented shredding comb.

The rotor has a length of 3 m and is equipped with 30 tools, the shredding comb has 19 teeth. Its patented construction allows a quick and flexible variation of the distance between rotor tools and shearbar. As needed, the size of the end product can be modified with five different settings.

After the material passed the shredding comb, it drops on the optional screen basket, which covers the bottom half of the rotor. The basket helps to additionally modify the size of the end product.

The TEUTON Z 55 shreds different materials into different fraction sizes - with maximum performance! For optimum adaptation to the task, this shredding giant can also be equipped with different tools, cutter blades and screen baskets. This flexibility is unique!

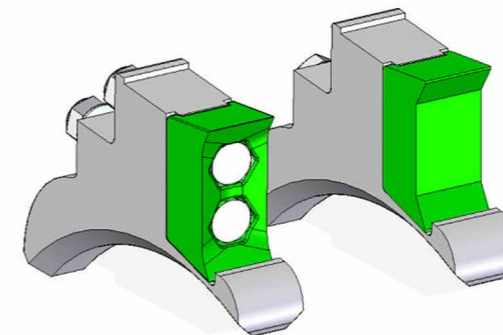
### Breaking tool (standard)



Application area:  
Demolition wood, domestic waste, green wood, hard plastic, cellulose.

Characteristics: Tool with a good breaking effect. Highly wear resistant due to welded-on carbide. Tip provides good grip on loose material. The backward leaning body will make sure the material is processed towards the outside, which is beneficial when using a screen basket. The trapezium shape will make the end fraction larger when the space between tool and counter-knife is increased.

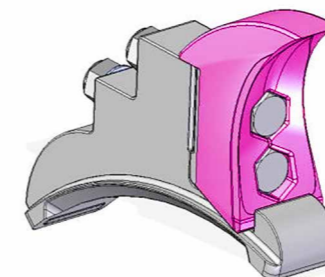
### Cutting tool



Application area:  
Tires, plastic, films, etc.

Characteristics: Tool with cutting effect. Due to the sharp edges, the material is cut open and accurately cut on the counter-knife. As the total height of this tool is low, the tooth force is greater than with the other tools. As a result, a special grate is necessary (smaller radius).

### Hard wood tool



Application area:  
Stumps, logs, C wood, sleepers.

Characteristics: Tool with very aggressive penetrative effect. Materials that are very hard and/or have a large shape, are split open by the aggressive tip.



Unique: Easy access to the tools



Control IFM with 12.1" touch panel



# Eggersmann

Eggersmann GmbH

Lengericher Str. 1  
49479 Ibbenbüren  
Germany  
Fon +49 5451 50773-10  
Fax +49 5451 50773-90

[www.f-e.de](http://www.f-e.de)



ClimatePartner<sup>o</sup>  
climate neutral

Print | ID: 11242-1604-1013

Find us on

